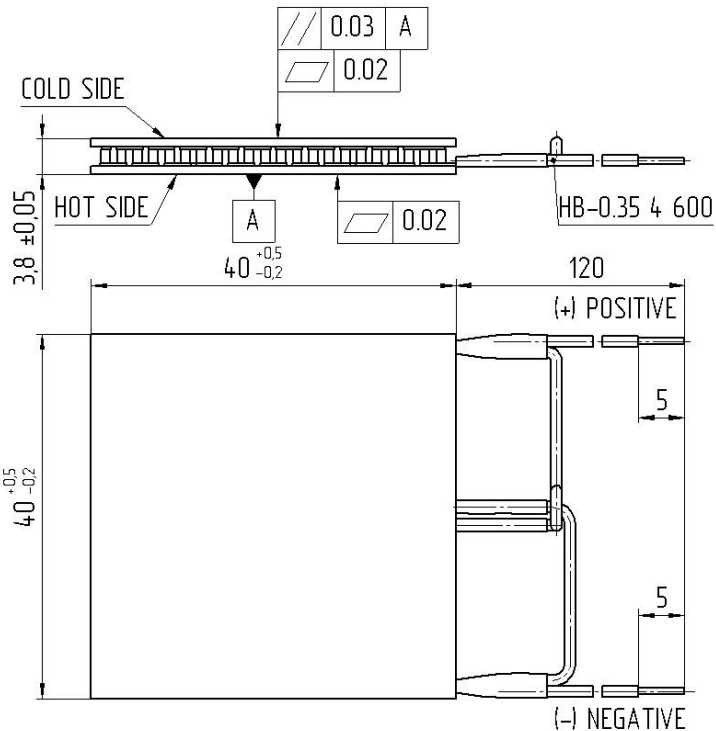
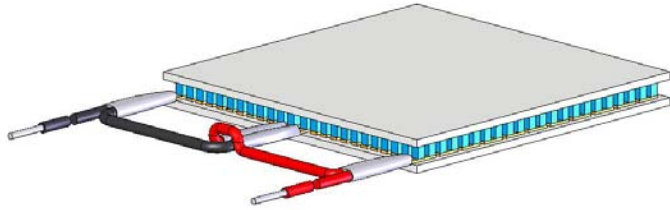


**SPECIFICATION OF THERMOELECTRIC MODULE TURBO-1.5 Parallel**


Thermoelectrical parameters	Unit	Value
<b>I<sub>max</sub></b>	<b>Amps</b>	<b>6.2</b>
<b>U<sub>max</sub></b>	<b>Volts</b>	<b>15.7</b>
<b>ΔT<sub>max</sub></b>	<b>K</b>	<b>69</b>
<b>Q<sub>max</sub></b>	<b>Watts</b>	<b>60.0</b>
<b>R<sub>ac</sub> (at 295 K)</b>	<b>Ohm</b>	<b>1.85</b>
<b>Tolerance</b>	<b>%</b>	<b>±10</b>

*All parameters except R<sub>ac</sub> are given at Th=300 K*

Assembly parameters	Unit	Value
<b>Wires</b>	<b>HB-0.35 4 600</b>	
<b>Cross section</b>	<b>mm<sup>2</sup></b>	<b>0.35</b>
<b>Metallization</b>		<b>Not</b>
<b>Sealing</b>		<b>Not</b>
<b>Internal solder</b>	<b>°C</b>	<b>139</b>
<b>Brazing solder</b>	<b>°C</b>	<b>not</b>

Operational parameters	Unit	Value
<b>Working temperature range</b>	<b>°C</b>	<b>-50 ÷ +80</b>
<b>Max. processing temperature</b>	<b>°C</b>	<b>130</b>
<b>ROHS compliance</b>		<b>YES</b>

