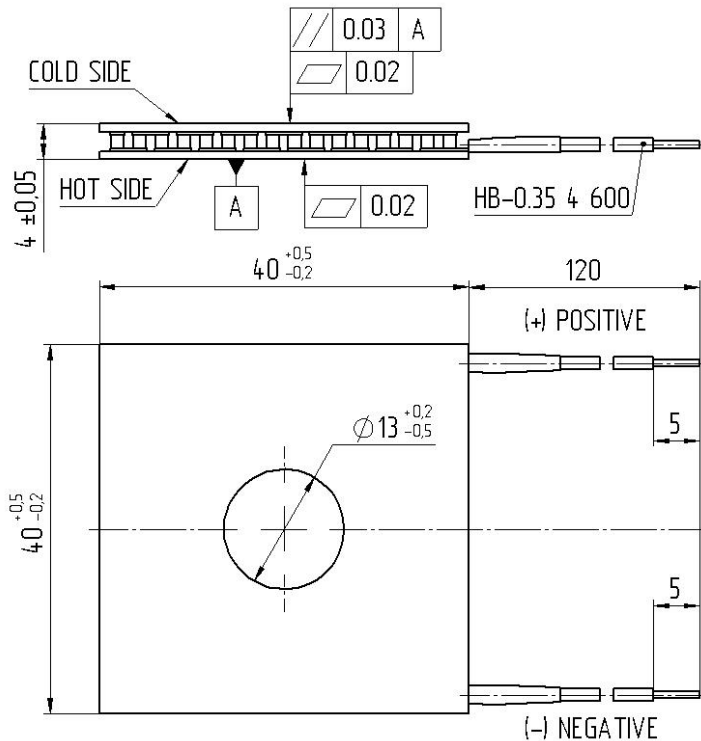
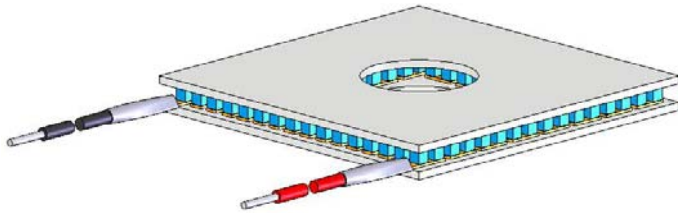


SPECIFICATION OF THERMOELECTRIC MODULE TB-109-1.4-1.5CH


Thermoelectrical parameters	Unit	Value
I_{max}	Amps	6,1
U_{max}	Volts	13,7
ΔT_{max}	K	70
Q_{max}	Watts	51,0
R_{ac} (at 295 K)	Ohm	1,8
Tolerance	%	±10

All parameters except R_{ac} are given at Th=300 K

Assembly parameters	Unit	Value
Wires	HB-0.35 4 600	
Cross section	mm²	0.35
Metallization		Not
Sealing		Not
Internal solder	°C	139
Brazing solder	°C	not

Operational parameters	Unit	Value
Working temperature range	°C	-50 ÷ +80
Max. processing temperature	°C	130
ROHS compliance		YES

